

STRUCTURAL NOTES

1. ALL DIMENSIONS ARE TO BE VERIFIED BY THE CONTRACTOR PRIOR TO FABRICATION/CONSTRUCTION.
2. FRAMING LUMBER TO BE PRESSURE TREATED DOUGLAS FIR NO. 1 OR BETTER.
3. PLYWOOD SHALL BE PER AMERICAN PLYWOOD ASSOCIATION SPECIFICATIONS.
4. ALL FRAMING DEVICES ARE SIMPSON "STRONG-TIE" CONNECTIONS. INSTALL DEVICES AND FILL ALL NAIL HOLES PER MANUFACTURER'S LITERATURE/SPECIFICATIONS.
5. ALL NAILS SHALL BE COMMON. FOR NAILING NOT NOTED REFER TO IBC TABLE 2304.9.1. ALL NAILS INTO PRESSURE TREATED WOOD TO BE HOT DIPPED GALVANIZED.
6. FOR FRAMING DETAILS NOT SHOWN REFER TO IBC "CONVENTIONAL FRAMING" PROVISIONS.
7. MEMBERS IN CONTACT WITH CONCRETE OR MASONRY SHALL BE PRESSURE TREATED OR FOUNDATION GRADE REDWOOD. DO NOT PLACE ANY WOOD MEMBERS IN CONTACT WITH THE EARTH.
8. PLYWOOD SHEAR WALL PANEL VENEERS SHALL NOT BE BROKEN OR CRUSHED UPON THE INSTALLATION OF SHEAR WALL NAILING.

MAINTENANCE NOTE:

A SNOW SHED WILL HELP PREVENT SNOW AND ICE ACCUMULATION, BUT IS NOT A SUBSTITUTE FOR THE UPKEEP AND MAINTENANCE OF THE ADJOINING RESIDENCE OR STRUCTURE. IT IS IMPORTANT TO KEEP GUTTERS FREE OF LEAVES AND DEBRIS, INCLUDING THOSE ABOVE OR NEAR THE NATURAL GAS METER. ALSO, NO SHED WILL PROTECT AGAINST FALLING ICE SHEETS, SO CARE MUST BE TAKEN TO PREVENT THE ACCUMULATION OF ICE THAT COULD RESULT IN AN ICE FALL.



© SCO PLANNING & ENGINEERING, INC.

GRASS VALLEY
530-272-5841
TRUCKEE
530-982-4043
FAX: 530-285-8738

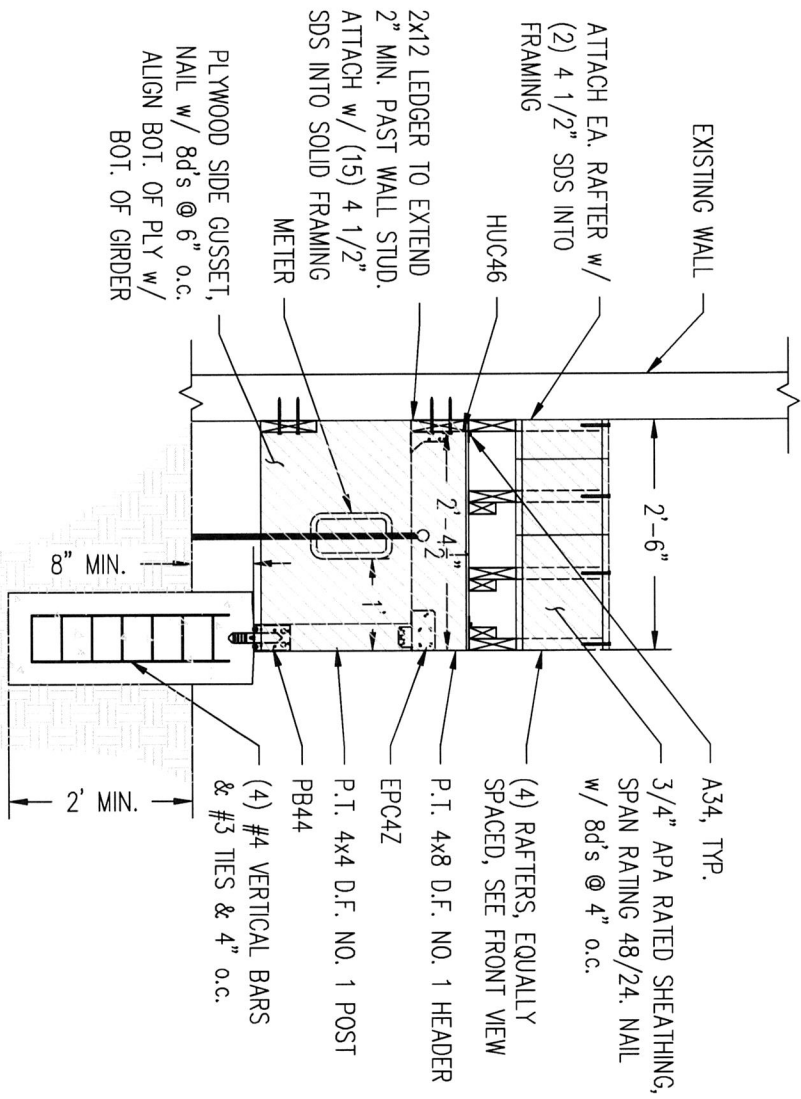


TAHOE

GAS METER SHELTER IMPROVEMENT PLANS NOTES

CALIFORNIA

NO.	REVISIONS	DATE	DESIGNED: JTB
			DRAWN: JTB
			PROJ. NO: 202213
			DATE: JULY, 2023



EXISTING WALL

ATTACH EA. RAFTER w/
(2) 4 1/2" SDS INTO
FRAMING

HUC46

2x12 LEDGER TO EXTEND
2" MIN. PAST WALL STUD.
ATTACH w/ (15) 4 1/2"
SDS INTO SOLID FRAMING

METER

PLYWOOD SIDE GUSSET,
NAIL w/ 8d's @ 6" o.c.
ALIGN BOT. OF PLY w/
BOT. OF GIRDER

A34, TYP.

3/4" APA RATED SHEATHING,
SPAN RATING 48/24. NAIL
w/ 8d's @ 4" o.c.

(4) RAFTERS, EQUALLY
SPACED, SEE FRONT VIEW

P.T. 4x8 D.F. NO. 1 HEADER

P.T. 4x4 D.F. NO. 1 POST

EPC4Z

PB44

(4) #4 VERTICAL BARS
& #3 TIES & 4" o.c.

1 800 PSF GABLE ROOF - SIDE VIEW

SCALE: 1/2" = 1'-0"



SCD PLANNING & ENGINEERING, INC.
GRASS VALLEY
530-272-5841
TRUCKEE
530-582-4643
FAX: 530-285-8738

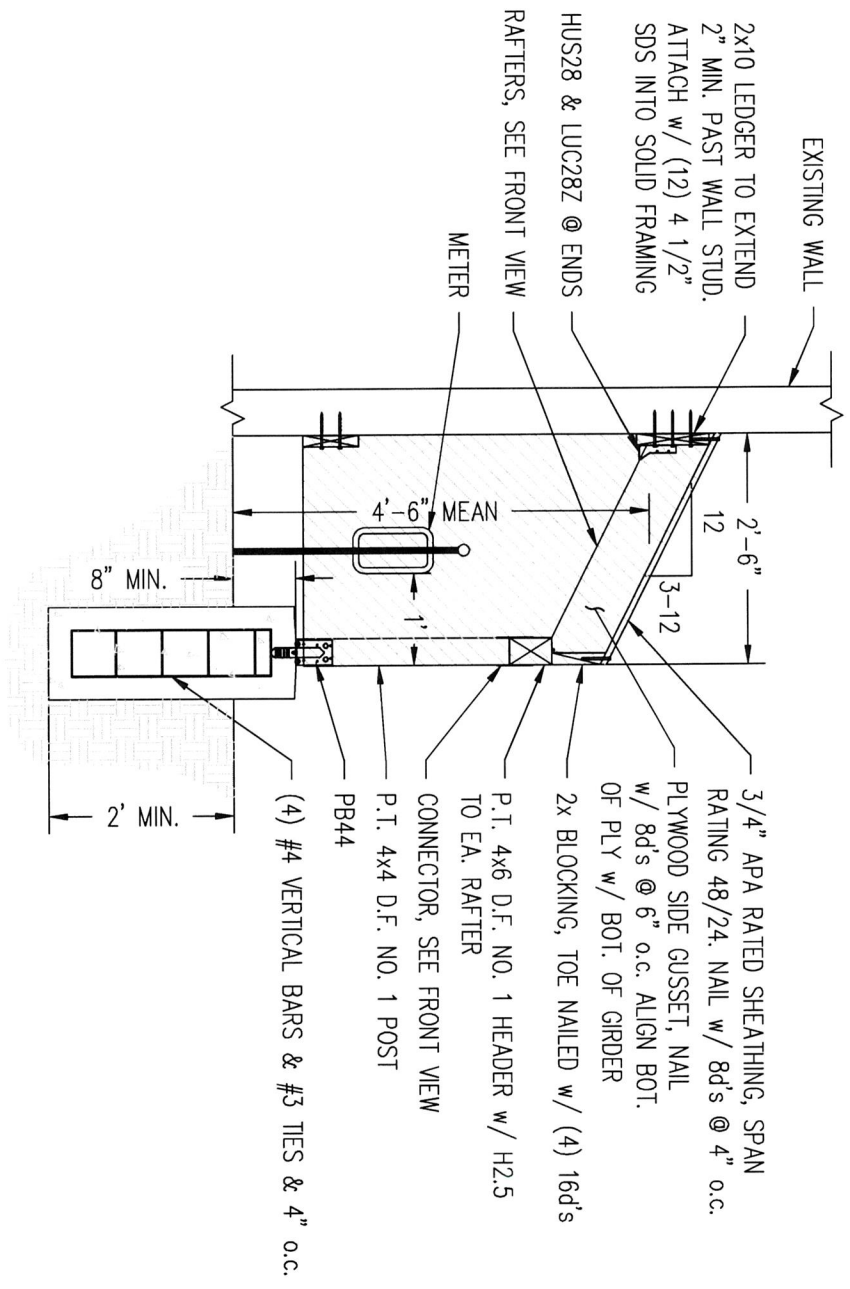


TAHOE

**GAS METER SHELTER
IMPROVEMENT PLANS
800 PSF GABLE - SIDE VIEW**

CALIFORNIA

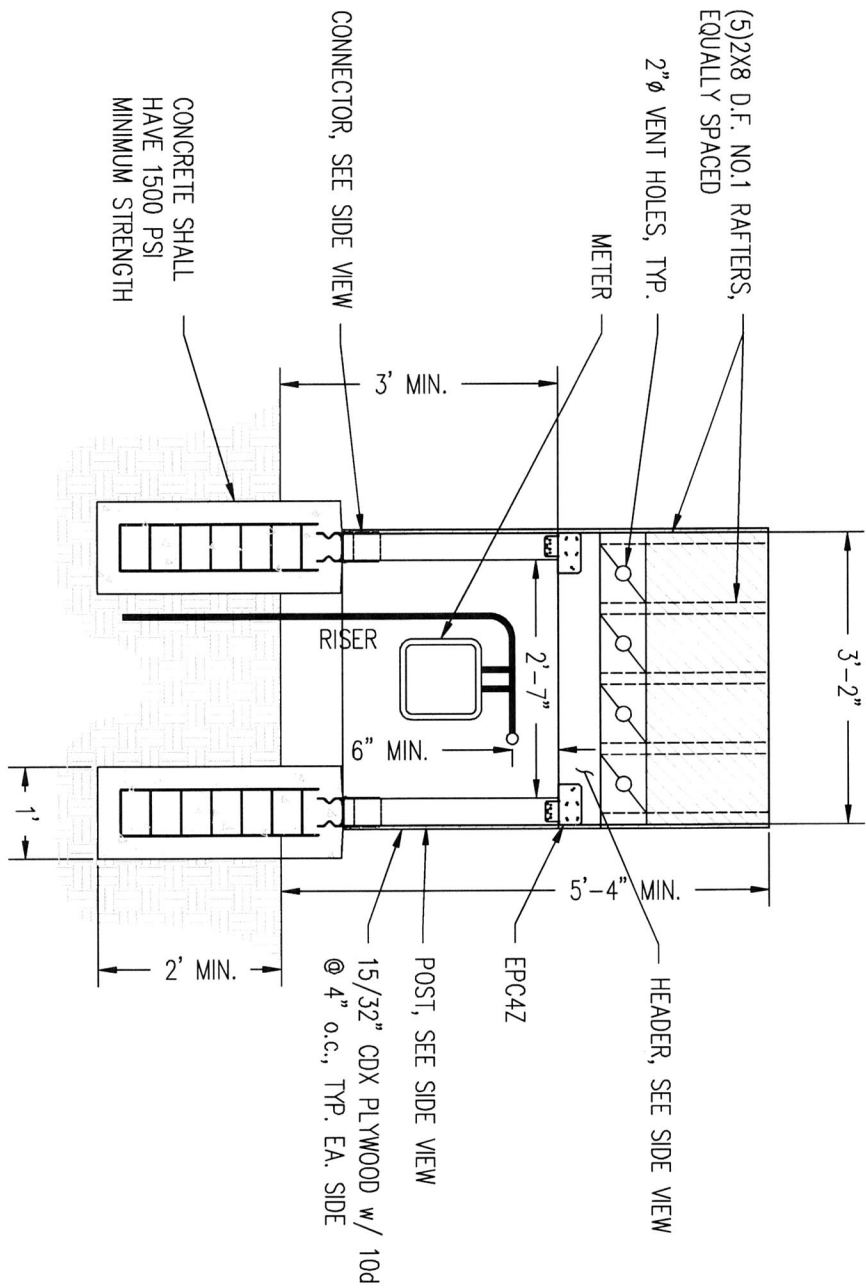
NO.	REVISIONS	DATE	DESIGNED: JTB
			DRAWN: JTB
			PROJ. NO: 202213
			DATE: JULY, 2023



1 800 PSF SHED ROOF - SIDE VIEW
SCALE: 1/2" = 1'-0"



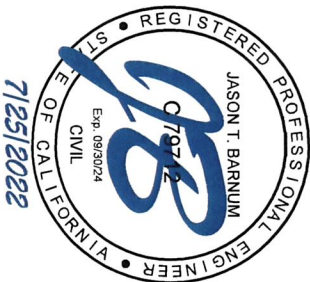
GRASS VALLEY 530-272-5841 TRUCKEE 530-562-4043 FAX: 530-285-8738		 PLANNING • ENGINEERING • ARCHITECTURE	TAHOE CALIFORNIA	GAS METER SHELTER IMPROVEMENT PLANS 800 PSF SHED - SIDE VIEW	<table border="1"> <thead> <tr> <th>NO.</th> <th>REVISIONS</th> <th>DATE</th> <th>DESIGNED: JTB</th> </tr> </thead> <tbody> <tr> <td> </td> <td> </td> <td> </td> <td> </td> </tr> <tr> <td> </td> <td> </td> <td> </td> <td> </td> </tr> <tr> <td> </td> <td> </td> <td> </td> <td> </td> </tr> </tbody> </table>	NO.	REVISIONS	DATE	DESIGNED: JTB												
NO.	REVISIONS	DATE	DESIGNED: JTB																		



2

800 PSF SHED ROOF - FRONT VIEW

SCALE: 1/2" = 1'-0"



© SCD PLANNING & ENGINEERING, INC.

GRASS VALLEY
530-272-5841
TRUCKEE
530-582-4643
FAX: 530-285-8736



TAHOE

GAS METER SHELTER
IMPROVEMENT PLANS
800 PSF SHED- FRONT VIEW

CALIFORNIA

NO.	REVISIONS	DATE	DESIGNED: JTB
			DRAWN: JTB
			PROJ. NO: 202213
			DATE: JULY, 2023